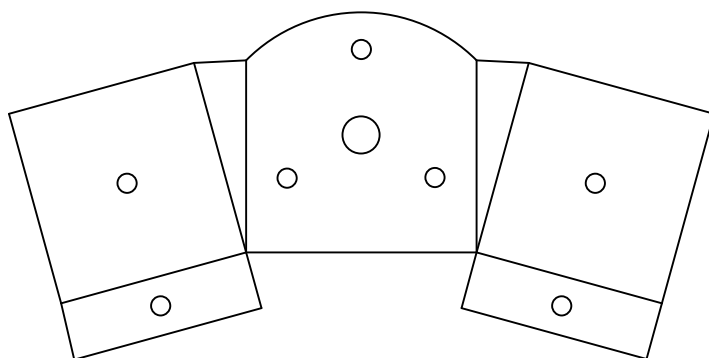


Marinecraft Small Power Boat range – brushless mount



Mount is made from a suitable sheet metal 0.02"/0.5mm tinplate, for instance.

Example mounting holes are indicated – drill for your own motor, bend to shape in a vice and attach to Bulkhead 2.

Make final small adjustments with pliers to line up the motor shaft precisely.